

Founded 1979 Incorporation No A6677 P.O. Box 692, Shepparton 3632



**Shepparton & District Amateur Radio Club  
and Electronics Club**

**October 2024 Newsletter**

**Next Meeting Saturday November 2<sup>nd</sup>.**

### **SADARC COMMITTEE**

President:- Peter Rentsch – VK3AXI

Vice-President:- Barrie

Halliday - VK3KBY

Secretary:- Rob Hose - VK3BLD

Treasurer:- Ian Saunders – VK3YYY

Membership Sec:- Ian

Saunders - VK3YYY

Assistant Secretary:- Peter Rentsch - VK3AXI

Webmaster Graeme Martin - VK3VSM and Ray Gardiner – VK3YNV

Hamfest Co-ordinator:- Peter Rentsch - VK3AXI

Newsletter editor: - Peter Simpson – VK3ASK

Technical Committee: Geoff VK3ZNA, Ray VK3YNV, Denys VK3ZYZ, Josh Gardiner, also power to co-opt.

To contact any member of the committee above, email

[committee@sadarc.org](mailto:committee@sadarc.org) and specify who you wish to communicate with and the subject.

If you have items for the newsletter, forward to: [newsletter@sadarc.org](mailto:newsletter@sadarc.org)



The Vintage Radio Club – 2 mx repeater 11 am

A number of semi-private HF skeds take place either daily or weekly, locally or further afield.

Website – [www.sadarc.org](http://www.sadarc.org) or [www.sadarc.org.au](http://www.sadarc.org.au) Face book Page – Shepparton and District Amateur Radio Club Direct Link: <https://www.facebook.com/groups/481867453084459>

### **In this Issue**

- **Next Club Meeting.**
- **Presidents Report**
- **Secretary Report, Minutes**
- **Editors' comments.**
- **Merrigum Car Show VK3VSM**
- **Antenna for sale VK3ZNA**
- **Log books for sale**
- **VFO for Philips FM1680 by Denys VK3ZYZ**

### **Next Meeting**

The next SADARC meeting will be held at our regular club room, 18 Channel Road Shepparton (360 Health)

10am, Arduino, with Denys, Ray and Josh.

11am General chat and catch up

12pm BBQ lunch

1pm, our regular meeting including the Man Behind the Mic and the usual show and tell of equipment and projects.

### **Diary Dates**

November 2<sup>nd</sup>, Regular meeting at 360 Health.

December 7<sup>th</sup>, Xmas breakup function, probably at the Royal Mail Hotel – MOOROOPNA, to be confirmed at this meeting.

January 2025, No meeting

February 1<sup>st</sup>, 2025 Regular Meeting plus AGM.

## **Presidents Report – October 2024.**

A great attendance again at our meeting. We continue to grow as a Club with two new members at our October meeting. Remember please everybody that new members need a seconder for acceptance into the Club.

Thank you to everyone that attended and thankyou to all those who pitch in and do the jobs that make the meeting a success. The cooks, the table set up people and then those that help put everything away, those that clean up and those that make sure the room is the way we found it. Without everybody pitching in it would make it very hard for a few.

Commenting about members getting motivated, a big thankyou to Kevin VK3KFM. He brings his portable system to the Hamfest, then a couple of weeks later he has it out at Merrigum for a Car Show representing the Club. Kevin was ably assisted at the Car Show by Ray VK3YNV and Graeme VK3VSM. Graeme took some photos, and I hope Peter VK3ASK includes his report and photos in the Newsletter. Thanks to people like Keven, Ray & Graeme we are significantly “more out-there” in the Community. If we want to continue to grow, then this is what we need to do.

Coming up in February in our first meeting for 2025. This is also the AGM where those on the Committee are re-elected or stand down for various reasons. To continue to see our Club blossom we need willing members on the Committee. As the add says,” Please Consider” if a position becomes vacant putting your hand up to take on a roll.

That’s it for this month and I look forward to another great day on the 2<sup>nd</sup> November.

Cheers,  
Peter Rentsch  
VK3AXI  
President

## October 2024 Meeting Minutes

**In Attendance:** VK3AXI Peter, VK3BLD Rob, VK3YYY Ian, VK3AFD Arthur, VK3ZYZ Denys, VK3YNV Ray, SWL Josh, VK3MFE Mark, VK3VSM Graeme, VK3OV Pat, VK3ZNA Geoff, VK3ASK Peter, VK3KFM Keven, VK3JSD Stevo, VK3KBY Barrie, VK3FBEN Peter, VK3TJS Jacek, VK3EB Dallas, SWL Bill, VK3FUG Ray, VK3BPH Kevin, VK3GSR Geoff, VK3BPH Kevin, VK3HOR Ben, VK3ZDK, VK3AAH Andrew, VK3TRI Brian, VK3ELV Phil, VK3NQS Jason, VK3DQS Colin.

**Apologies:** VK3FALN Alan, VK3UU Alan.

President Peter opened the meeting at 13:05.

Peter VK3AXI reported on the success of the Ham Feat. He suggested we rename the Hamfest to an Electronics Fest to attract more people who are not Hams to attend. He reported that even though the church asked for the car park to be left empty for their morning service, no cars were parked there. Peter also suggested that next year we ask for postcodes from visitors to get an idea of how wide our audience is.

The minutes of the previous meeting were included in the newsletter.

Ian VK3YYY Moved the minutes be accepted as read. Seconded Denys VK3ZYZ. All in favour.

### **Correspondence: Inwards:**

Geoff Angus presented the paperwork for the transfer of the CB repeater on Mt. Wombat to SADARC,

The EMDRC Newsletter has arrived.

No outward correspondence.

Treasurers Report was tabled by Ian VK3YYY.

Ian VK3YYY moved that the treasurers' report be accepted. Seconded ????. All in favour.

### **Technical Report:**

Ray VK3YNV reported on the new Sim installed on Mt. Wombat. Even if we go over our data limit, we will still be able to continue using the link.

Ray reported that we did not get the Council Grant this year, but we should submit the request next time it is available.

Ray reported on the power problems on the hill, and there will be electricians upgrading the supply next week. He commented that the battery back-up failed too quickly and we may need to replace the batteries.

Ray moved that Keven purchase 5 new batteries for the site. Seconded VK3KFM Keven.

Ray Moved that the Technical Report be accepted. Seconded by Geoff VK3ZNA. All in favour.

Josh SWL showed his design for the Membership card. It is made from a circuit board.

The Club should send a letter of thanks to Jaycar for their sponsored items in the raffle.

We need to draft a letter to bunnings regarding the discount offered on the BBQ purchase.

The Bunnings Sausage Sizzle will be on 29<sup>th</sup> December. We need two 5-man crews to ensure we can have enough people for the whole day.

VK3NQS Jason moved that we investigate changing the IRLP repeater to AllStar. Seconded by Colin.

The December meeting may need a different venue. This is still being investigated.

The next meeting will be on 2<sup>nd</sup> November.

Meeting closed at 14:50

## **Editors Comments**

October turned out to be another great meeting for our club, lots of members in attendance, a couple of new members and plenty of lively discussion.

The success of the 2024 Hamfest, was certainly on the agenda and even discussions about changing the name for next year. Whatever the outcome, we seem to be able to get this one right and always have a successful day.

Also on the table, was the need for some electrical upgrades at Mount Wombat and the possibilities of a better backup system.

By the time you read this newsletter, Ray, Josh and an electrician will have been to the Mountain to replace old circuit breakers and power points.

Thanks to Ray and Josh, we were also able to gain access to the garden shed near our meeting room, where our new BBQ and gas bottle will be stored. We have our own key for this area, so all we need now is the new BBQ, which should be there for our next meeting.

One of the hi-lights of our October meeting was the man behind the mic segment, which this time around was Rob VK3BLD.

Rob like most of our members has had an interesting and rewarding work life and certainly has gained a vast knowledge of radio and electronics.

It would seem that a young Rob and Ian found a unique way of discussing their school homework, thanks to the wonderful world of radio, not sure about bands, or frequencies, I will leave that to Rob and Ian to explain.

In this newsletter, Graeme VK3VSM gives us a run down on the Merrigum Car show, Denys presents another of his great VFO projects and Geoff VK3ZNA covers an antenna, which will be up for sale at our next meeting.

See you all on Saturday

Peter Simpson  
VK3ASK

## **Merrigum Car Show Report by Graeme VK3VSM**

Below a report From Graeme about the Merrigum Car Show held on Sunday October 20<sup>th</sup>

Kevin 3kfm, Ray3YNV and myself VK3vsm set up at the Merrigum Car show on Sunday October 20<sup>th</sup>, we got there around 6 and took about an hour to set up the gazebo and antennas and other equipment, we had a 2m/70cm antenna, plus a 40m dipole.

Across the way from us was a coffee van. As we were setting up the guy pulls out a Chinese generator, straight off we all look at each other thinking HF has been wiped out.

While there was a bit of noise, we were able to make a few contacts including to Geoff, VK3GSR, who had a portable station setup up in NSW (i think?)

At around 8-8:30 the car numbers were a bit low, but come 9am the cars rolled in.

There were quite a few 4wd vehicles, with owners showcasing their camping setups and I did notice that there were a few with poorly setup antennas. We could have gone and educated them a bit on proper setups.

Kevin VK3KFM, had his mast setup, not at full height, but it was high enough. We had a monitor setup with tabs opened up on psk report. wspr report and adsb for the planes , just in case a few people were interested

We also had a few handhelds on the uhf cb band.

There was a good turnout at the car show, but we only got a handful of people, venture down our way. We were set up down in the back corner, which is where the CFA and SES had a few trucks. So I think the location let us down on the numbers as most seemed to hang out further up the venue, or walking around to see the cars on the oval. I also noticed that the CFA, didn't get much traffic.

The normal amount of kids seeing the big red trucks, which of course make sense as it was after all a car show, so thanks to Rob for giving us a spot All up it was a good day, quite a bit of fun and well worth the effort , I hope I covered it all , if you have any questions, do ask.

Geoff VK3VSM

Below are some pictures, which Graeme took on the day and he also made the suggestion that the club should consider dedicated SADARC T-shirts, which could be worn at such events.





## Antenna For Sale From Geoff VK3ZNA

### For Sale

SADARC selling:-

Tet Emtron TE-33 3 element beam, Second Hand in good order from Ham downsizing.

Complete with manual and disassembled.

Pick Up Club Rooms on Saturday 2nd November>

Price \$500.00 or ONO

### Log Books for sale through the club

VK3YNV Ray's daughter does Amazon print on demand books, so he asked her to do an amateur radio log book. She is happy to do it for nothing, so the books are available at cost.

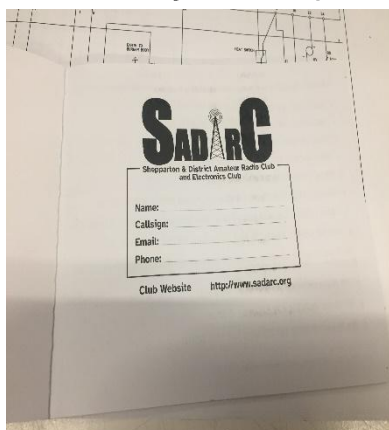
The base price is \$5 per book, and \$2 postage, postage, possibly less if ordered in bulk.

Ray has suggested we can sell them for \$10 and make a dollar or two for the club.

He wanted a small format A5 book, and tried to keep it as minimalistic as possible, with a generous section for comments.

His preference would have been for a spiral bound book, that laid flat, but Amazon don't offer that as a binding option.

This could be a great fundraiser for the club, if we get enough orders, so it will certainly be a topic for discussion at our next meeting.





## VFO For Philips FM1680, by Denys VK3ZYZ

My latest project is to install an Arduino VFO into a Philips FM1680 set. There is a possibility of quite a number of these sets becoming available to those who are interested in a 25Watt 2M FM radio project. Here is my first run at this mod...



One quite attractive feature of the FM1680 is its modular construction. The die cast chassis has separate mounts for each of the radio's sub sections so this allows one to easily modify each part as required.

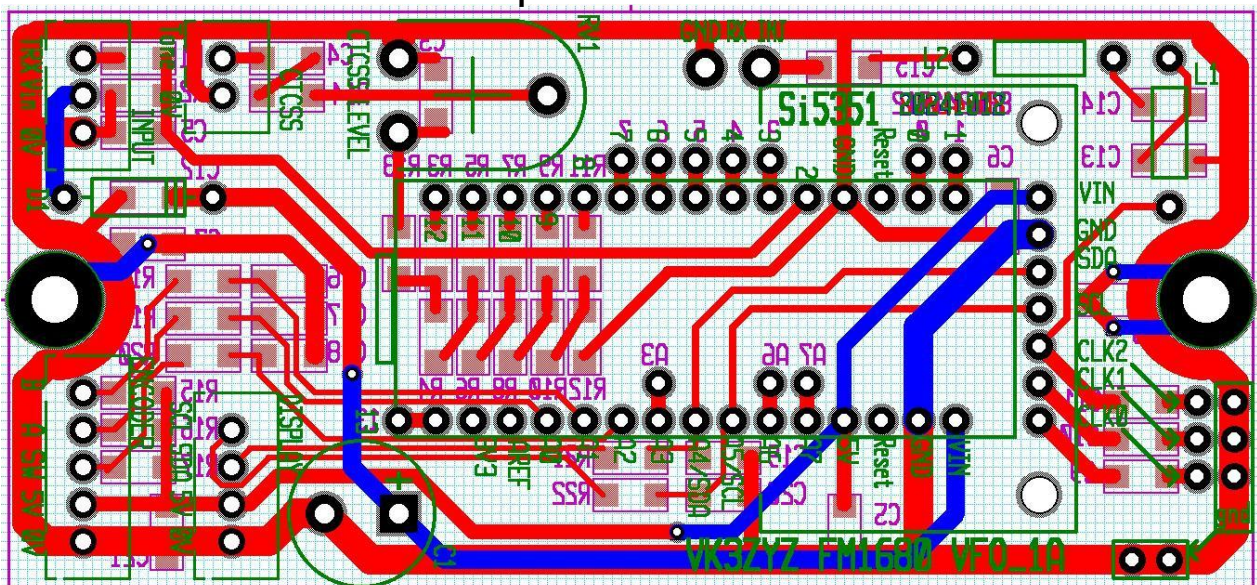




My aim is to replace the RX oscillator/multiplier board with a custom PCB that has the Arduino Nano, Si5351 and CTCSS R2R DAC.

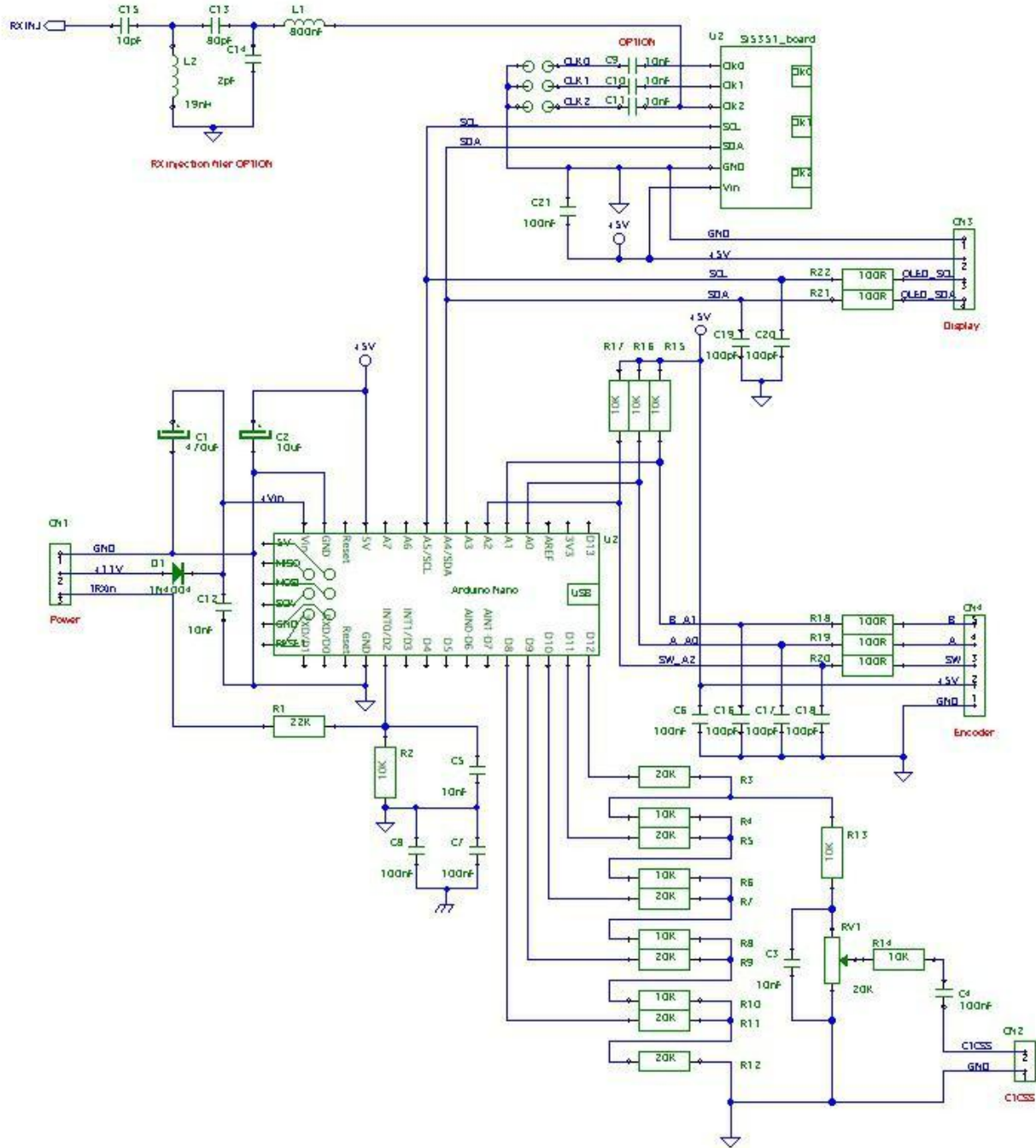


The original board to be replaced with my new board is the centre one in the above picture.





This PCB design is similar to my "normal" Arduino Nano VFO but with a few refinements to add RF stoppers on the external leads as the prototype using my original VFO board would crash as the power was tuned up on TX.



Anyone who is interested in having a go with this project,  
please let me or Geoff, VK3ZNA know.

Regards

Denys

VK3ZYZ