



Founded 1979 Incorporation No A6677 P.O. Box 692, Shepparton 3632

Repeaters VK3RGV Freq: 53.725MHz (1 meg offset) -146.65MHz(IRLP Node #6992) (600 kHz offset) - 439.775MHz (5 MHz offset) - 438.2MHz (D-Star) [D-Star not operational at this time]  
Access to the analog repeaters is by sub-audible 123 Hz tone or noise mute (less sensitive).

Club Network informal on air get togethers. All welcome. Club callsign VK3SOL:-  
Wednesday evening - 3.62 MHz ± interference 7.00pm, 2mx repeater 8.00pm

Meetings are held at 1pm on the first Saturday of the month (except January when no meeting occurs) at the Mooroopna Scout/Guide Hall off Echuca Road, Mooroopna. Variations in these times and days are normally notified in the preceding newsletter. Website – [www.sadarc.org](http://www.sadarc.org)

**DISCLAIMER.** No guarantee is given as to the accuracy of information in this newsletter. Warning:- There is a danger of electrocution or injury when working on electrical/radio gear. You do so at your own risk.

President:- Greg Keegan	VK3POP	<a href="mailto:gregkgn@gmail.com">gregkgn@gmail.com</a>	
Secretary:- John Waters	VK3PXJ	<a href="mailto:glengordon@bigpond.com">glengordon@bigpond.com</a>	
Vice-President:- Barrie Halliday	VK3KBY	Treasurer:- Ron Burns	VK3COP
Membership Sec :- Pat O'Shannessy	VK3OV	Webmaster:- Dallas James	VK3EB
Station Manager:- Ian Ward	VK3CHV	Publicity Officer:- Peter Rentsch	VK3FPSR
Technical Committee:- Phil VK3ELV, Ray VK3RW, Geoff VK3ZNA & Rodney VK3UG			
Newsletter:- Peter VK3FPSR & Rodney VK3UG		<a href="mailto:rodlynn6@bigpond.com">rodlynn6@bigpond.com</a>	

\*\*\*\*\*

## SEPTEMBER 2015 NEWSLETTER

**Next meeting. 1.00pm Saturday 10<sup>th</sup> October – yes you have read correctly. The next meeting has been moved forward to Saturday 10<sup>th</sup> October due to the AFL Grand Final on the 3<sup>rd</sup>.**

**Please note it is also the AGM so be prepared to put your hand up.**

## **Editors Ramblings**

As Amateur Radio operators we are all into communication. This communication can be via dots & dash's, voice, digital modes slow scan TV and any way that we seem to be able to get our message across to other people that we have developed, promoted and used. We are keen to keep in touch with each other, talk about our life experiences, check up on friends, discuss the football, have a joke on air, talk about our latest technical success or failure and generally communicate with each other.

This year, like the solar cycle and the effect it has on radio propagation our communication has deteriorated. I don't mean from within our Club, I mean from the organisations that should be setting the example in keeping the grass roots of Amateur Radio informed. As a club we feel undermined and deceived. Decisions were made that directly affected our equipment and facilities. We were not kept informed and the lack of communication left a lot to be desired.

To me, it was not the fact that we have to change our facilities for various different reasons; it was that it was carried out behind our backs and with very little consultation until we started to ask questions. We do not live in a dictatorship, we live in a democracy. ( I think!!) The very people that are the leaders of the Amateur Radio community and should be setting the example in communication have failed to do so.

So, where does this leave the Club. Yes it has affected the morale of the members. It has stopped us from doing other activities. We have been bogged down in trying to come to grips with what has been going on and for how long. Greg has done a sterling job in leading us through this turmoil and I know he is disappointed in not being able to get on and really get the Club humming with excitement.

There is so much a Club can do to create excitement and I know from talking to Greg earlier in the year he had great plans. It's now time that we put what has occurred behind us and move on to better and bigger things

We can hide behind a microphone, a key or a keyboard and not come out. We can remain virtually anonymous except for our call sign if we choose to do so.

It's time to come out! and make radio fun again.

## **Minute of the Meeting held 5<sup>th</sup> September, 2015**

Prior to our meeting, we had a meeting with AR Victoria, we had a lengthy discussion with them about Mt Wombat repeater site.

Their object with the site is to bring it up to standard, we as a club felt they are trying to take over the site, they assured us that is not the case.

I think we understand more about it now

Meeting opened at 1-10pm

Apologies were VK3 FJHM VK3 FALN VK3 JNC, VK3TJS , VK3ZNA ,VK3DSF ,VK3GEB ,VK3 RW,

Those in attendance were VK3COP, VK3POP ,VK3PXJ, VK3AO, VK3OV, VK3BPH, VK3ZE, VK3ELV, VK3FPSR, VK3GMV, VK3EB ,VK3ANDY

Inward mail 3membership renewals ,jaycar flyer

Outward mail was a sympathy card for the family of vk3hbw Brian

Minutes moved Kevin vk3bph seconded by, Wayne vk3gmv , Ron vk3cop ,presented the treasures report ,moved by Ron that they be accepted ,seconded by Peter vk3fpsr

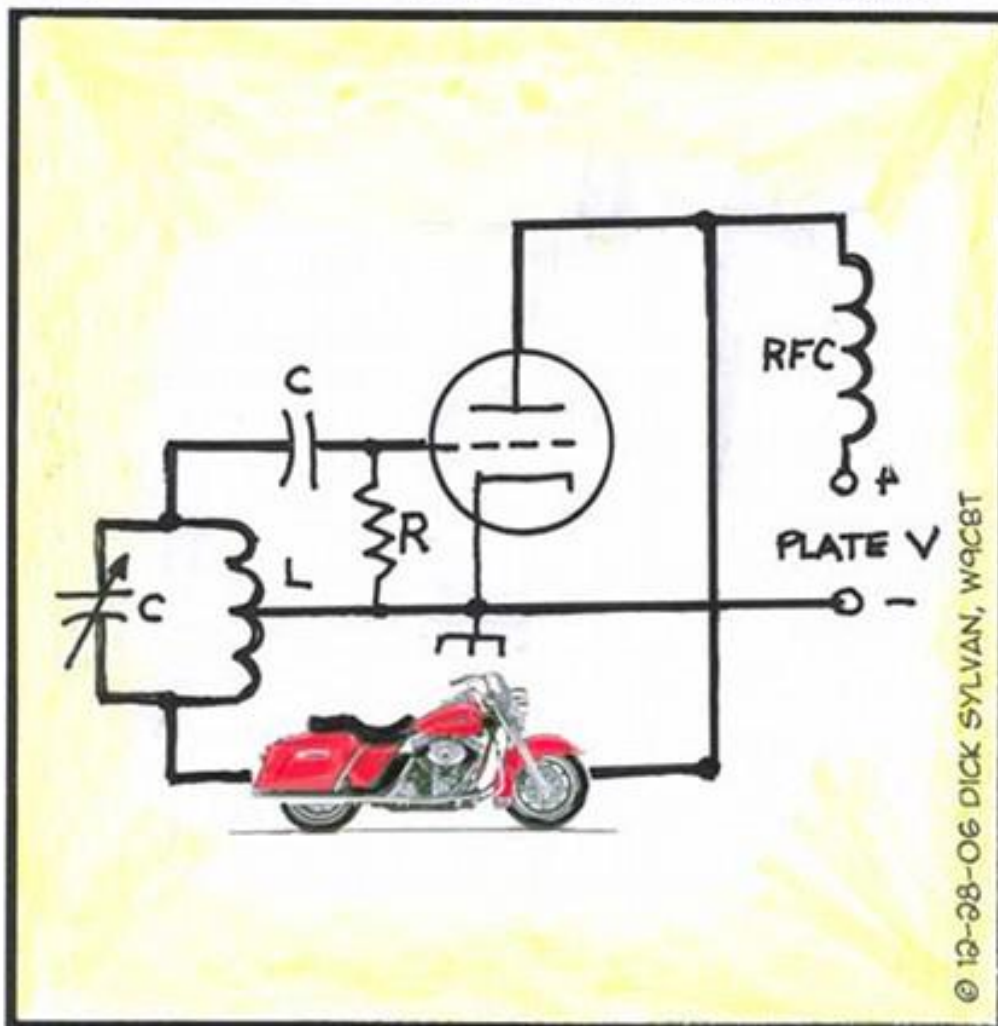
Hamfest set up Saturday 1pm all tables are booked

Ron vk3cop moved a motion, to rescind the motion to remove Southern Cross Austereo from the Mt Wombat site seconded by Kevin vk3bph ,motion carried

Meeting closed 2-30- pm

Please don't forget that our next meeting is the AGM. This does not mean that stay home on that day so as you don't get a job – this means that you get involved in running our Club. It won't survive unless you are prepared to contribute.

## HAM QUIPS BY DICK SYLVAN W9CBT



HARLEY OSCILLATOR CIRCUIT